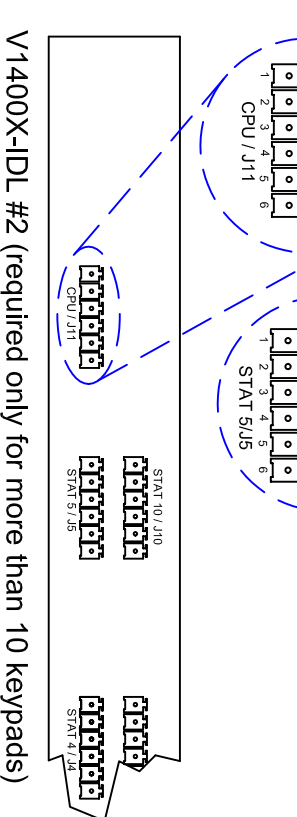
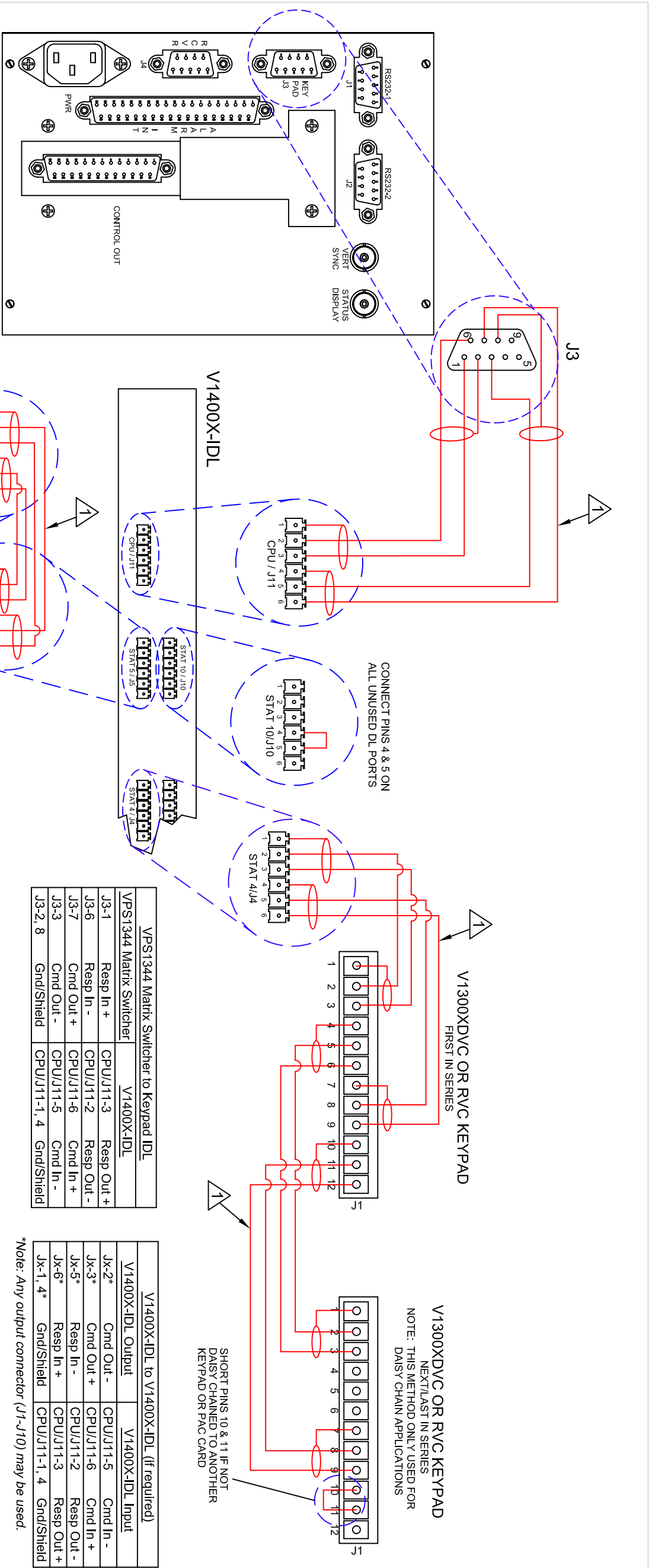


Vicon Industries Inc.
 Corporate Headquarters
 89 Arkay Drive
 Hauppauge, NY 11788
 631-952-CCTV (2288)
 Fax 631-951-CCTV
 Toll Free 1-800-645-9116
 Tech Support 1-800-34-VICON
 www.vicon-cctv.com

REV -01 - DDN #1992 - Nov. 2002	REVISIONS
SCALE: NTS	
DATED: 07/02/01	
DRAWN: DM	
CHECKED: C: GB A: GB	
PROJECT:	
TITLE:	V1344 CPU TO V1400X-IDL TO V1300X-DVC KEYPAD INTERCONNECT DRAWING
NUMBER: 1400-0101-20	Rev. 01



V1400X-IDL #2 (required only for more than 10 keypads)
 Note: When wiring to a connector, remove and discard the terminal 4-5 jumper wire.

V1400X-IDL to V1300X-DVC Keypad	
V1400X-IDL	V1300X-DVC
Jx-2* Cmd Out -	J1-2 Cmd In -
Jx-3* Cmd Out +	J1-3 Cmd In +
Jx-5* Resp In -	J1-8 Resp Out -
Jx-6* Resp In +	J1-9 Resp Out +
Jx-1, 4* Gnd/Shield	J1-1, 7 Gnd/Shield

*Note: Any output connector (J1-J10) may be used.

Keypads In Daisy Chain Configuration			
1st V1300X-DVC		2nd V1300X-DVC	
TB1-5 Cmd Out -	TB1-2 Cmd In -	TB1-2 Cmd In -	TB1-2 Cmd In -
TB1-6 Cmd Out +	TB1-3 Cmd In +	TB1-3 Cmd In +	TB1-3 Cmd In +
TB1-11 Resp In -	TB1-8 Resp Out -	TB1-8 Resp Out -	TB1-8 Resp Out -
TB1-12 Resp In +	TB1-9 Resp Out +	TB1-9 Resp Out +	TB1-9 Resp Out +
TB1-4, 10 Gnd/Shield	TB1-1, 7 Gnd/Shield	TB1-1, 7 Gnd/Shield	TB1-1, 7 Gnd/Shield

VPS1344 Matrix Switcher to Keypad IDL	
VPS1344 Matrix Switcher	V1400X-IDL
J3-1 Resp In +	CPU/J11-3 Resp Out +
J3-6 Resp In -	CPU/J11-2 Resp Out -
J3-7 Cmd Out +	CPU/J11-6 Cmd In +
J3-3 Cmd Out -	CPU/J11-5 Cmd In -
J3-2, 8 Gnd/Shield	CPU/J11-1, 4 Gnd/Shield

V1400X-IDL to V1400X-IDL (if required)	
V1400X-IDL Output	V1400X-IDL Input
Jx-2* Cmd Out -	CPU/J11-5 Cmd In -
Jx-3* Cmd Out +	CPU/J11-6 Cmd In +
Jx-5* Resp In -	CPU/J11-2 Resp Out -
Jx-6* Resp In +	CPU/J11-3 Resp Out +
Jx-1, 4* Gnd/Shield	CPU/J11-1, 4 Gnd/Shield

*Note: Any output connector (J1-J10) may be used.

This drawing and the contents herein are Copyright 2001 Vicon Industries Incorporated. They are furnished on a confidential basis for the specified purpose as indicated on the drawing itself. Permission is granted to use and copy this drawing freely provided that (a) the intended usage is the connection and operation of Vicon equipment, and (b) any copies contain this notice in its entirety. Vicon makes no representations as to the operability of any described systems or interconnections unless this drawing is specifically marked for construction.