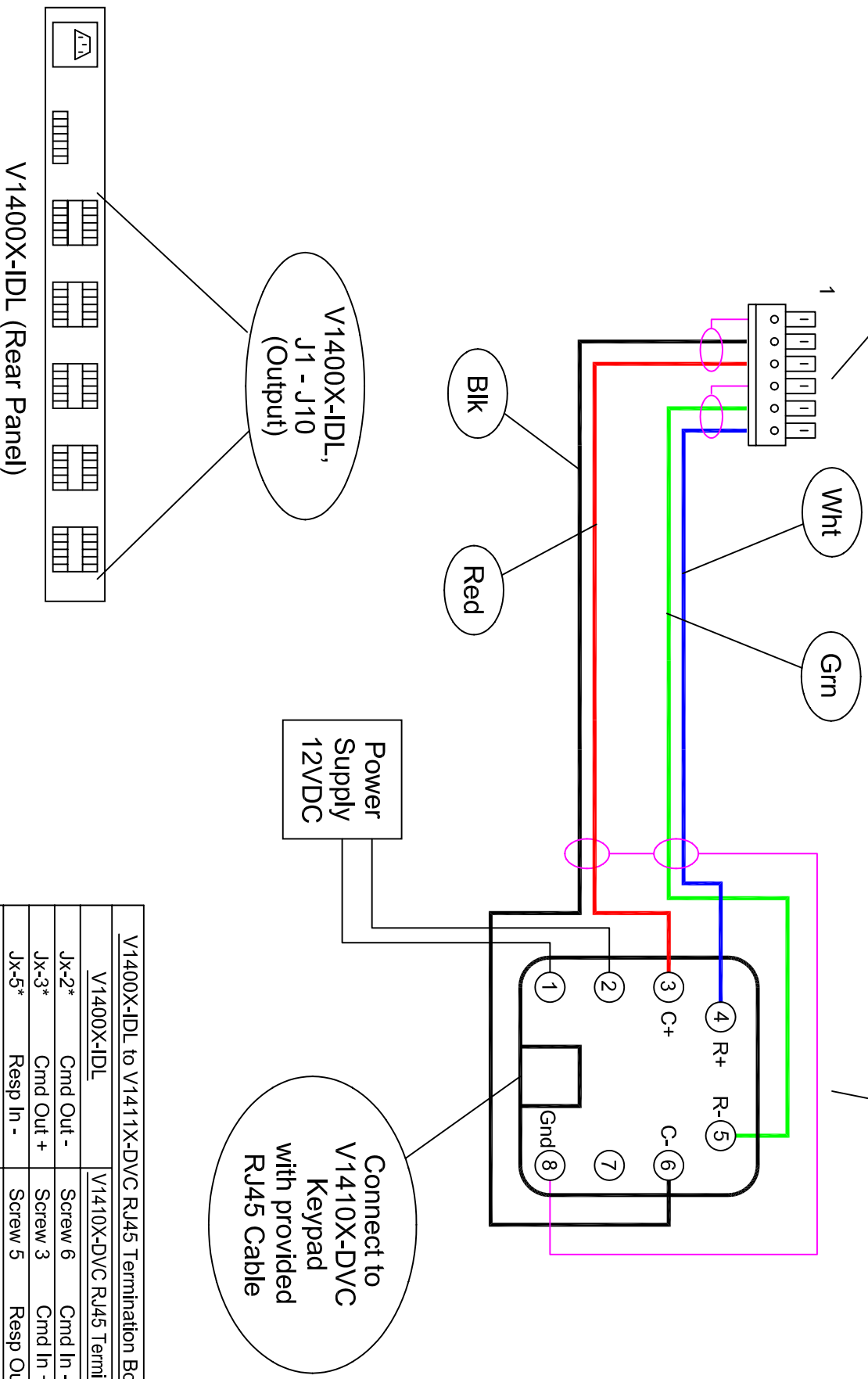


Connects to V1400X-IDL (Keypad) Any Output Connector J1 - J10

RJ45 Termination Box supplied with V1410X-DVVC



V1400X-IDL (Rear Panel)

V1400X-IDL, J1 - J10 (Output)

Power Supply 12VDC

Connect to V1410X-DVVC Keypad with provided RJ45 Cable

V1400X-IDL to V1411X-DVVC RJ45 Termination Box			
V1400X-IDL	V1410X-DVVC RJ45 Termin Box		
Jx-2*	Cmd Out -	Screw 6	Cmd In -
Jx-3*	Cmd Out +	Screw 3	Cmd In +
Jx-5*	Resp In -	Screw 5	Resp Out -
Jx-6*	Resp In +	Screw 4	Resp Out +
Jx-1, 4*	Gnd/Shield	Screw 8	Gnd/Shield
---	---	Screw 1,2	12 VDC

\*Note: Any output connector (J1-J10) may be used.

- Notes:
1. Connectors are shown from wiring side.
  2. Wire color code is not typical of any particular dual pair, twisted, shielded cable. Colors are shown above for ease of identifying individual wires.
  3. Insure wires are paired as shown in drawing.
  4. Connect to a V1400X-IDL used for Keypads.
  5. Screw numbers shown on drawing for termination box are for reference only. Numbers in box may vary from different manufactures. Orient as above with RJ45 connector facing down.
  6. Provided RJ45 cable is a standard 568-A, 568-B straight pinned patch cord (Vicon p/n: 1806-5417-01)

This drawing and the contents herein are Copyright 2002 Vicon Industries Incorporated. They are furnished on a confidential basis for the specified purpose as indicated on the drawing itself. Permission is granted to use and copy this drawing freely provided that (a) the intended usage is the connection and operation of Vicon equipment, and (b) any copies contain this notice in its entirety. Vicon makes no representations as to the operability of any described systems or interconnectors unless this drawing is specifically marked for Construction.

**VICON**  
 Vicon Industries Inc.  
 Corporate Headquarters  
 89 Arkay Drive  
 Hauppauge, NY 11788  
 631-952-CCTV (2288)  
 Fax 631-951-CCTV  
 Toll Free 1-800-645-9116  
 Tech Support 1-800-34-VICON  
 www.vicon-cctv.com

REV: -01 - DDN #1992 - Nov. 2002	
REVISIONS	
SCALE: NTS	
DATED: 03/14/02	
DRAWN: DJS	
CHECKED: C:DM A:DM	
PROJECT: Interconnects - Typical	
TITLE: Connector Pinouts: V1400X-IDL Output to V1410X-DVVC Keypad	
NUMBER: 1400-0103-69	Rev: 01